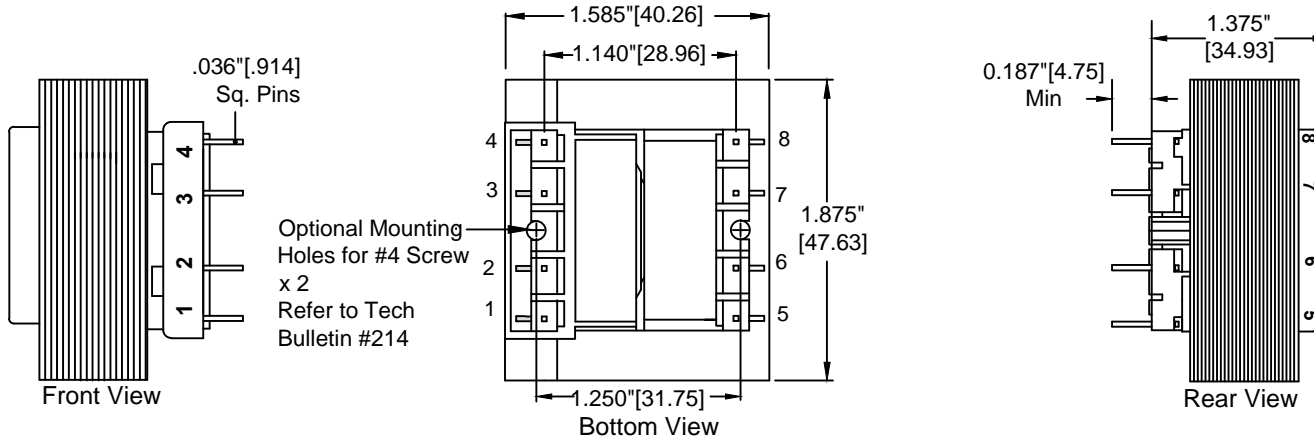


SPHV-277-1200 Series: 10 VA International Standard Profile PC Mount Power transformers with a single 277V primary and dual secondaries. Designed to be used in low power applications and provide the high isolation, creepage and clearance distances necessary to comply with international safety standards.

- Dielectric Strength - 4500Vrms Hipot primary - secondary
- Single Primary 277V, 50/60Hz
- Dual secondaries - Series or Parallel
- UL Recognized CLASS B (130°C) Insulation system, UL 1446 (File E85315)
- 100% Final Tested - Every transformer is tested on automated panels for induced voltage (shorted turns), exciting current, open circuit voltage (turns ratio), polarity (phasing) and dielectric strength
- Shrouded primary, Three flange bobbin design, no electrostatic shield required
- Flammability - Bobbin and Shroud Material meets UL 94-VO
- Immersed in 100% solids epoxy resin to withstand most aqueous and solvent cleaning systems
- Other primary and secondary voltages may be custom designed to your specifications
- Anchor, insulating and crossover tapes. Two distinct, separate windings for each primary and secondary assure excellent HIPOT capability between these windings
- Same pin-out as Prem's SPW 1200 Series

All Dimensions are reference unless otherwise specified. []=mm

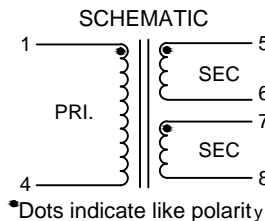


SECONDARY WINDINGS ARE DESIGNED TO BE USED AS ONE SECONDARY WINDING WITH EITHER PARALLEL OR SERIES CONNECTIONS ONLY!

INPUT VOLTAGE 1 - 4, 277V, 50/60Hz

SECONDARY PARALLEL CONNECTIONS:
TIE 5-7, 6-8 ; OUTPUT 5-8

SECONDARY SERIES CONNECTIONS:
TIE 6-7; OUTPUT 5-8



THE DESIGN OF THIS PART IS INTENDED TO MEET THE LISTED SAFETY AGENCY REQUIREMENTS. PREM HAS NOT HAD THIS PART REVIEWED, APPROVED OR LISTED BY ANY SAFETY AGENCY.

- PRI TO SEC INSULATION: REINFORCED
- PRI TO SEC CREEPAGE: 6.4mm MIN.(MATERIAL GROUP IIIb)
- PRI TO SEC CLEARANCE: 6.4mm MIN.

RMS RATING WITH SECONDARIES CONNECTED IN:

Part Number	VA	Series	Parallel
SPHV-277-1200	10	10Vct @ 1.0A	5V @ 2.0A
SPHV-277-1201	10	12.6Vct @ 800mA	6.3V @ 1.6A
SPHV-277-1202	10	16Vct @ 625mA	8V @ 1.25A
SPHV-277-1203	10	20Vct @ 500mA	10V @ 1.0A
SPHV-277-1204	10	24Vct @ 420mA	12V @ 840mA
SPHV-277-1205	10	28Vct @ 360mA	14V @ 720mA
SPHV-277-1206	10	36Vct @ 280mA	18V @ 560mA
SPHV-277-1207	10	48Vct @ 209mA	24V @ 418mA
SPHV-277-1208	10	56Vct @ 179mA	28V @ 358mA
SPHV-277-1209	10	120Vct @ 83mA	60V @ 166mA

SPHV-277-1200 Series

Notes

Designed to meet:
 -UL 60950
 -VDE 0805(EN 60950)

FUSING THE TRANSFORMER TO MEET SAFETY AGENCY REQUIREMENTS IS THE RESPONSIBILITY OF THE CUSTOMER.

-3	Chg.Elec. Text	3-6-15
-2	Chg. () to []=mm	12-4-14
-1	Add #4 screw to Mtg. hole & refer to Bull. 214	8-25-14

PREM
 MAGNETICS INCORPORATED
 3521 N. CHAPEL HILL RD.
 JOHNSBURG, IL 60051

PREM PART
SPHV-277-1200
INTERNATIONAL
SERIES

Approved: R Randow

Scale: None

Date: 04/12/2012